

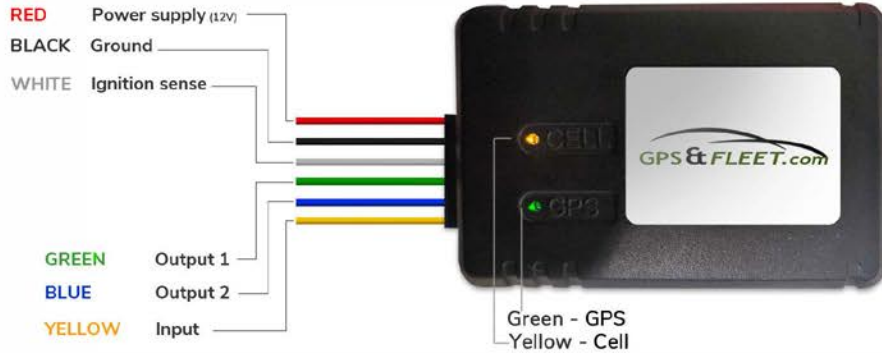
- **Dimension:** 85.5mm X 58mm X 13.5mm (3.37in X 2.28in X 0.53in)
- **Weight:** : 56g (1.98oz)
- **Battery:** 180mAh Li-Polymer
- **Nominal supply voltage:** 12V to 24V
- **Current consumption:** <50mA
- **Operating temperature:** -35°C to +75°C (-31°F to +167°F)
- **Storage temperature:** -40°C to +85°C (-40°F to +185°F)
- **Single Battery Charge Lasts:** Up to 1 hour
- **LTE - CAT M1**

MA2106 HARDWIRED GPS TRACKER **USER GUIDE**

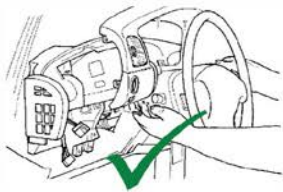


MA2106 Quick Start Guide

STEP 1 Identify the wiring cable:



STEP 2 Connect the GPS Tracker



Power ON the tracker. While looking for cell registration, Cell LED blinks every 1 sec. After network registration, Cell LED blinks every 3 sec. GPS LED blinks once and stays solid for 3 sec then blinks every 1 sec (indicating looking for satellites). After attaining GPS lock, GPS LED blinks every 3 sec.



Note: To enable internal battery feature, slide the opening to locate the ON/OFF switch and turn it ON.

STEP 3 GPS Tracker Position

Make sure that the label is facing the right direction (e.g., If label on the unit says, "Label side down", then the unit should be installed so that the label side faces down.)

The device needs access to GPS signals, so make sure that the install position provides this access. **DO NOT INSTALL UNDER HOOD.**



MA2106 has two status LEDs: CELL LED (Yellow color) and GPS LED (Green color)

LED	DESCRIPTION	STATUS
Cell LED	Searching for Cell Network	Blinks every 1 second
	Cell Connected	Blinks every 3 seconds
GPS LED	Searching for Satellite	Blinks every 1 second
	GPS Lock	Blinks every 3 seconds

Note: Cell LED stays solid and starts blinking after the internal POWER ON cycle finishes.

STEP 4 Contact Details

Your login details will be emailed to you. Using the account credentials, log on to your account. When the yellow Cell LED starts blinking once every 3 seconds, the device will shortly start transmitting information to the host server and all the logged information can be viewed on your account platform.

After Installation if the Unit is not working

Make sure the yellow Cell LED on the tracker is blinking at the rate of every 3 seconds (as described in STEP 2).

If so, then start the vehicle engine and keep the engine running for a few minutes to get a quick update. When the engine is OFF, the web platform updates once every 2 hours and when the engine is ON, the update rate is once every 2 minutes on the basic plan.

If the engine is ON and the web platform is updating at once every 2 hours, then the ignition sense wire (white cable) is not connected. This needs to be connected for real time update (at 1 or 2 minute(s) interval).

Note: If you are traveling outside the US and in order for the tracker to work internationally, please contact support to enable international roaming before leaving the US.