



STSC101A

CAMERAS

HD BACKUP CAMERA FEATURING NIGHT VISION, COLOR, & AUDIO

VEHICLE TYPES



Rear view 150° diagonal field of view camera with 960H quality and built-in microphone. Equipped with 17 IR LEDs this camera offers up to 50 ft in night vision range.



STSC101A

COMPATIBILITY

COMPATIBLE WITH MOST ROSCO STANDARD 4-PIN SYSTEMS. ADAPTERS ARE AVAILABLE FOR CONNECTION TO OTHER SYSTEMS.

PLEASE CONTACT ROSCO FOR MORE INFORMATION.

STSC101A	SPEC
IMAGE DEVICE	1/3" CMOS Lens Sensor
PIXELS	976 (H) X 496 (V)
VIDEO OUTPUT	1.0 Vp-p, 75 Ohm
FIELD OF VIEW (DIAGONAL)	150°
MINIMUM ILLUMINATION	0 LUX (with IR LEDs)
NIGHT VISION RANGE	50ft (15m)
MICROPHONE	YES
DUST/WATER RATING	IP69K

STSC101A	SPEC
SHOCK RATING	50G @ 11ms
VIBRATION RATING	2.0G @ 10Hz ~ 1,000Hz
POWER SUPPLY	12 Vdc from Monitor
CURRENT	200 mA
OPERATING TEMPERATURE	-40°F to 185°F (-40°C to +85°C)
WEIGHT	0.71 lbs. (0.31 kg)
DIMENSIONS W X H X D	2.75" x 1.65" x 2.12" (70mm x 42mm x 54mm)

1-800-227-2095



ROSCOVISION.COM | ROSCOMIRRORS.COM
INFO@ROSCOVISION.COM

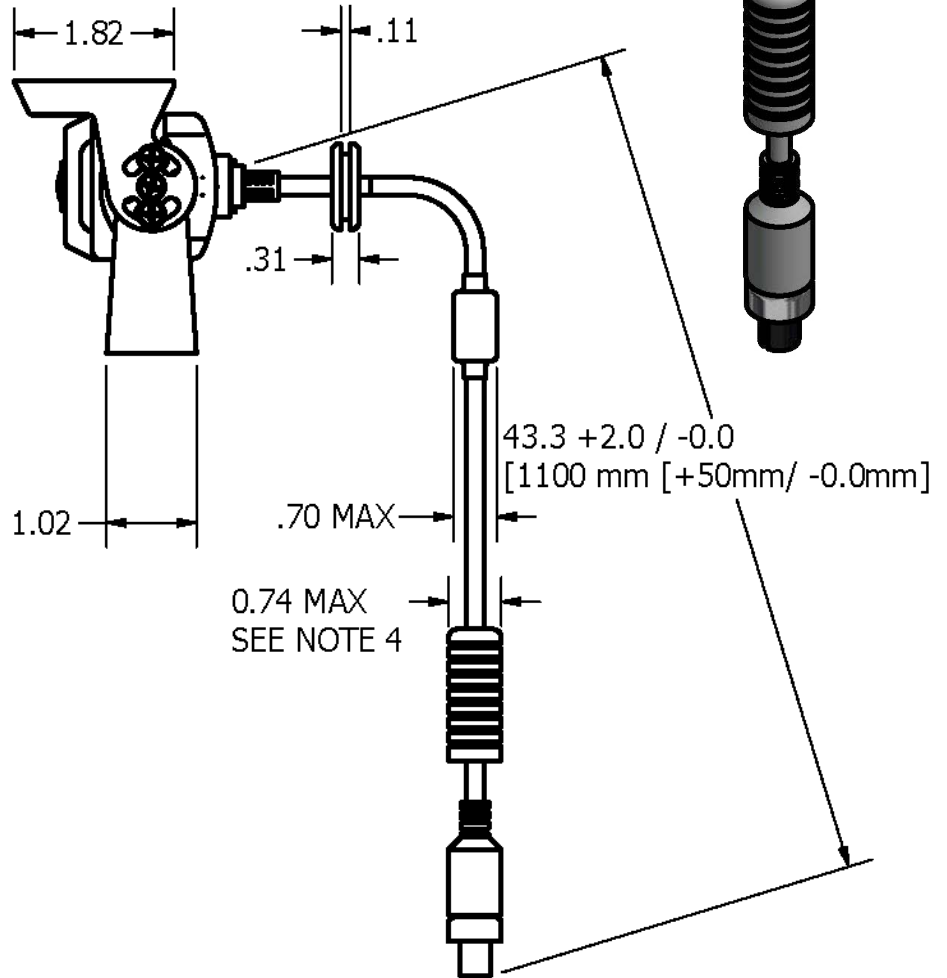
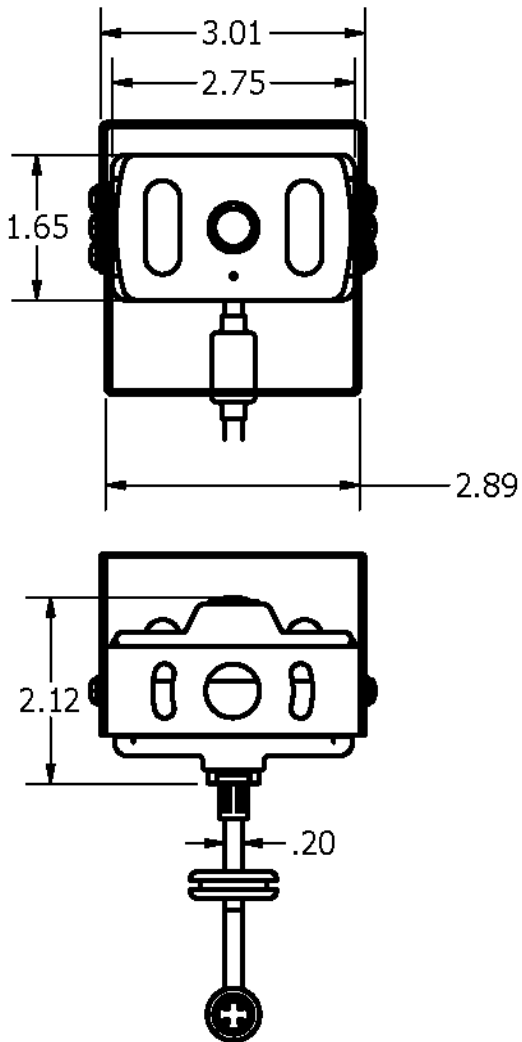
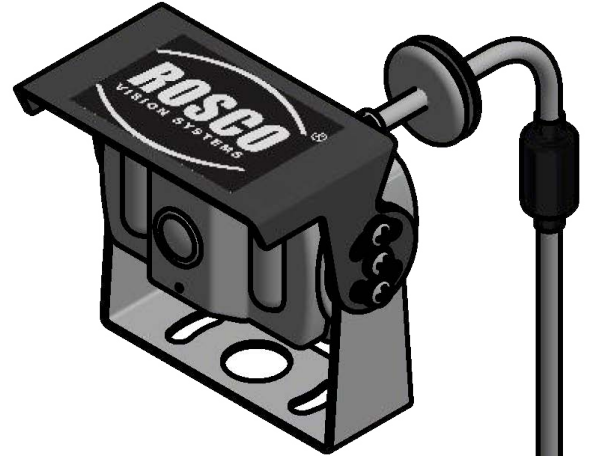
90-21 144TH PLACE
JAMAICA NEW YORK 11435



STSC101A

\\CAMERAS

HIGH MOUNTED BACKUP CAMERA FEATURING NIGHT VISION & COLOR



CAT: 08122019

1-800-227-2095



ROSCOVISION.COM | ROSCOMIRRORS.COM
INFO@ROSCOVISION.COM

90-21 144TH PLACE
JAMAICA NEW YORK 11435